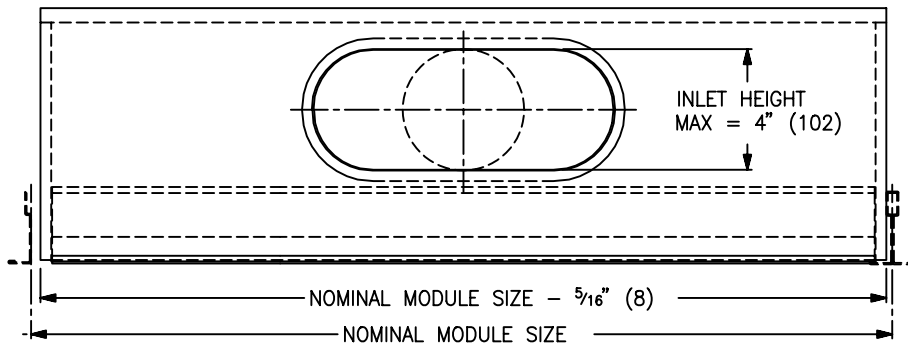


TBD,TBDI 6 T-BAR DIFFUSER

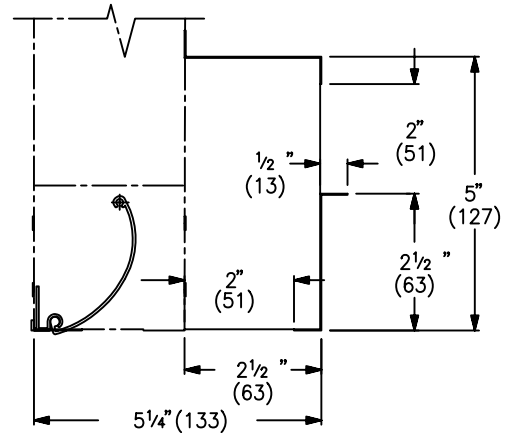
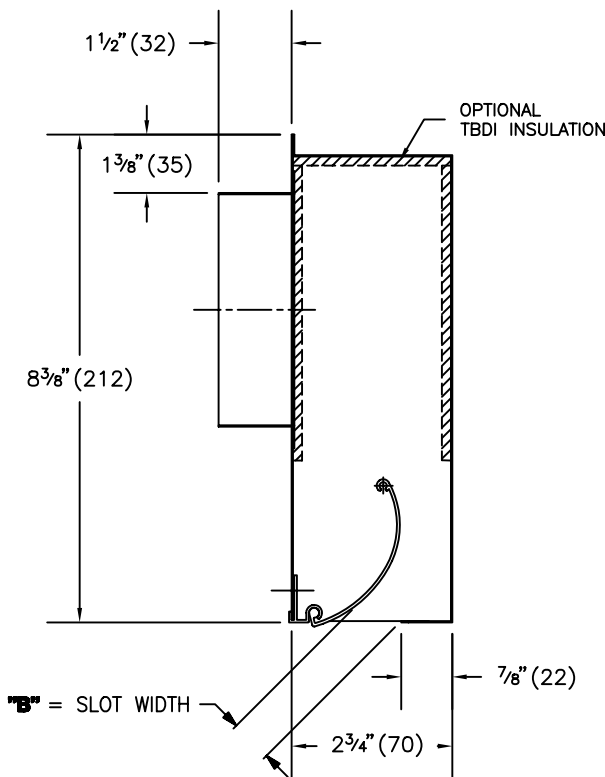


NOM LENGTH	
IMPERIAL	METRIC
<input type="checkbox"/> 24" (610)	<input type="checkbox"/> 600
<input type="checkbox"/> 30" (762)	<input type="checkbox"/> 750
<input type="checkbox"/> 36" (914)	<input type="checkbox"/> 900
<input type="checkbox"/> 48" (1219)	<input type="checkbox"/> 1200
<input type="checkbox"/> 60" (1524)	<input type="checkbox"/> 1500

MODEL, SLOT WIDTH "B"	AVAILABLE INLET SIZE
<input type="checkbox"/> TBD638 3/8" SLOT WIDTH	<input type="checkbox"/> 4" (102) <input type="checkbox"/> 6" (152) <input type="checkbox"/> 8" (203)
<input type="checkbox"/> TBD675 3/4" SLOT WIDTH	<input type="checkbox"/> 6" (152) <input type="checkbox"/> 8" (203) <input type="checkbox"/> 10" (254)

NOTE:
INLETS LARGER THAN 4" (102) RND WILL BE SUPPLIED AS EQUIVALENT OVALS.

- 6" (152) = 4" x 7" (102 x 172)
- 8" (203) = 4" x 10 1/8" (102 x 257)
- 10" (254) = 4" x 13 1/4" (102 x 337)



RETURN SECTION
(OPTIONAL, SPECIFY TBDR)

NOTES:

- FACTORY TOLERANCE - ± 1/32" (± 1mm)

FINISH:

- PLENUM FACE & BLADES - B17 BLACK


MATERIAL:

- SHELL - WIPED COAT STEEL
- BLADE ASSY - EXTRUDED ALUMINUM

OPTIONS:

- FF: FIBER FREE FOAM INSULATION
- CF: COATED FIBERGLASS INSULATION
- AFI: EXTERNAL ALUMINUM FOIL BACK INSULATION

ALL METRIC DIMENSIONS () ARE SOFT CONVERTED. IMPERIAL DIMENSIONS ARE CONVERTED TO METRIC AND ROUNDED TO THE NEAREST MILLIMETER.

PROJECT:		PRICE®	
ENGINEER:		 222031	TBD(I)6 SERIES
CUSTOMER:			
SUBMITTAL DATE:	SPEC. SYMBOL:	MAR.2004	HORIZONTAL PATTERN TEE-BAR DIFFUSER